



K.YOUNG

# 佶洋閥業有限公司

## KING YOUNG VALVES CO.,LTD

PROFESSIONAL MANUFACTURER

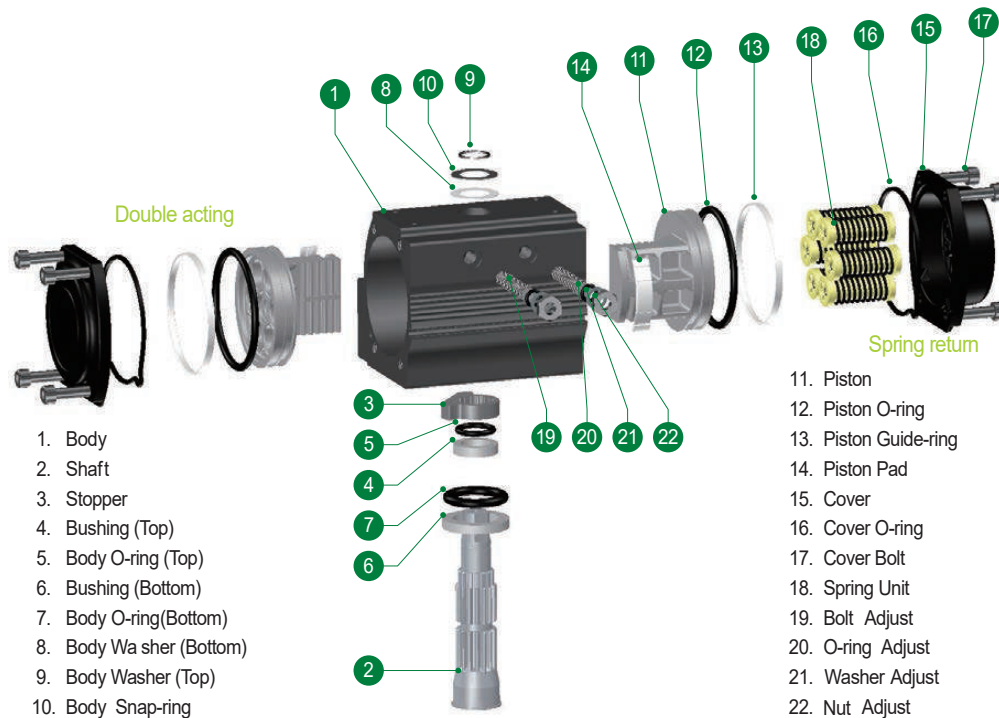
氣動驅動器 Pnuematic Actuator



電話號碼:(02)2603-2377~9  
傳真號碼:(02)2602-2818  
電子郵件:roycheng1028@gmail.com

網址:www.kingyoungvalves.com  
地址:新北市林口區湖北里湖子32-6號

# Part List



## Operating Mechanism

DOUBLE ACTING	Action "A"		
SPRING RETURN	Action "A" (Fail Close)		
	Action "B" (Fail Open)		



氣缸均可加裝極限開關 電磁閥 或其他配件  
All pneumatic actuators can be assembled with Limit Switch, solenoid valve, and other accessories;

**Aluminum Cover:** is not easily peeled off, and its polish can last long as it is power coated upon special surface treatment.

鋁合金端蓋：進行特殊表面處理後塗裝，表面不易脫落，可長期維持光澤。

As there is **no friction between metal to metal**, product life is long and without noise.

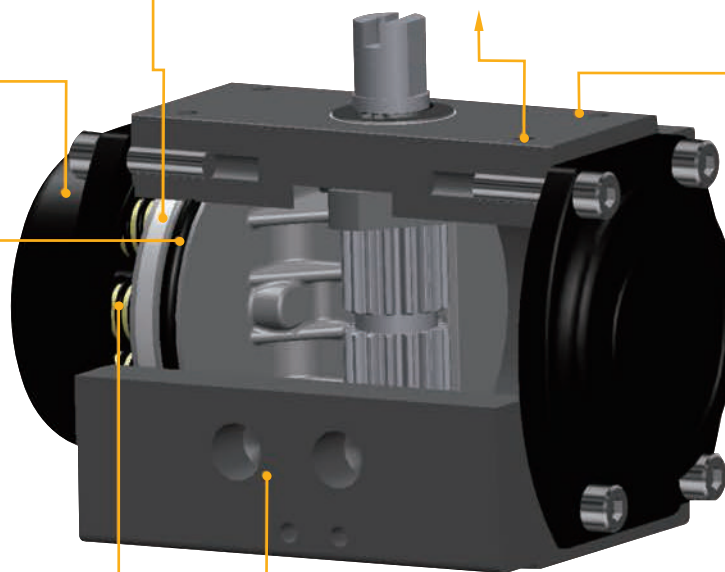
沒有金屬間的摩擦，壽命長，無噪音。

**ISO5211/DIN3337:** is the international standard, and thus the products can easily be fitted (assembled) with the accessories such as limit switch box.

ISO5211/DIN3337：標準規格部件，可直接裝上限位開關等配件。

**Aluminum Body** is anodized to prevent internal/external scratches and thus securing long product life.

鋁合金缸體：陽極硬化處理，可同時保護內/外部，不易被刮傷，有助於延長壽命。



**NBR:** The products can be used at low/high temperature as the products are available in EPDM and/or VITON in addition to the standard NBR.

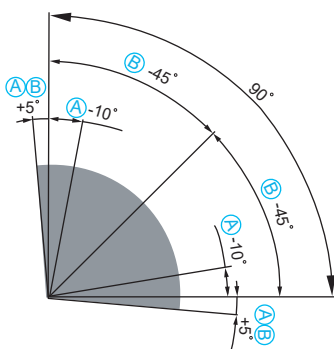
NBR：除了標準NBR以外，EPDM或VITON可以在高/低溫使用。

**Spring Cap:** enables safer assembly/disassembly.

彈簧套：利用彈簧套保障安全，可安全的進行分解及裝配工作。

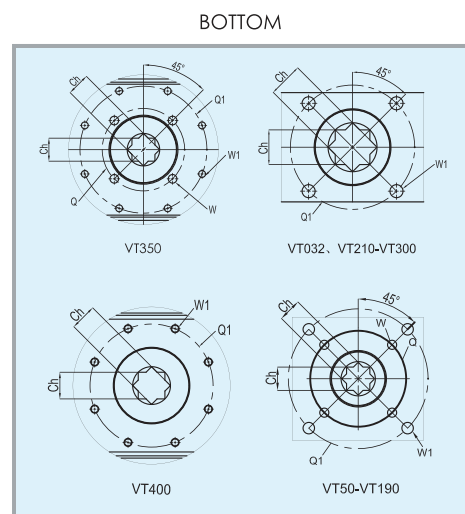
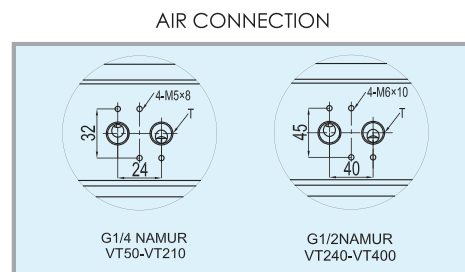
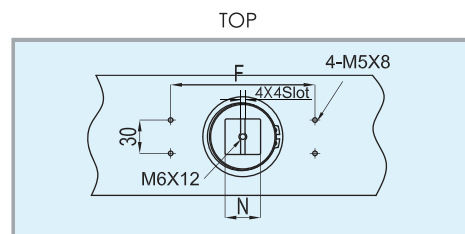
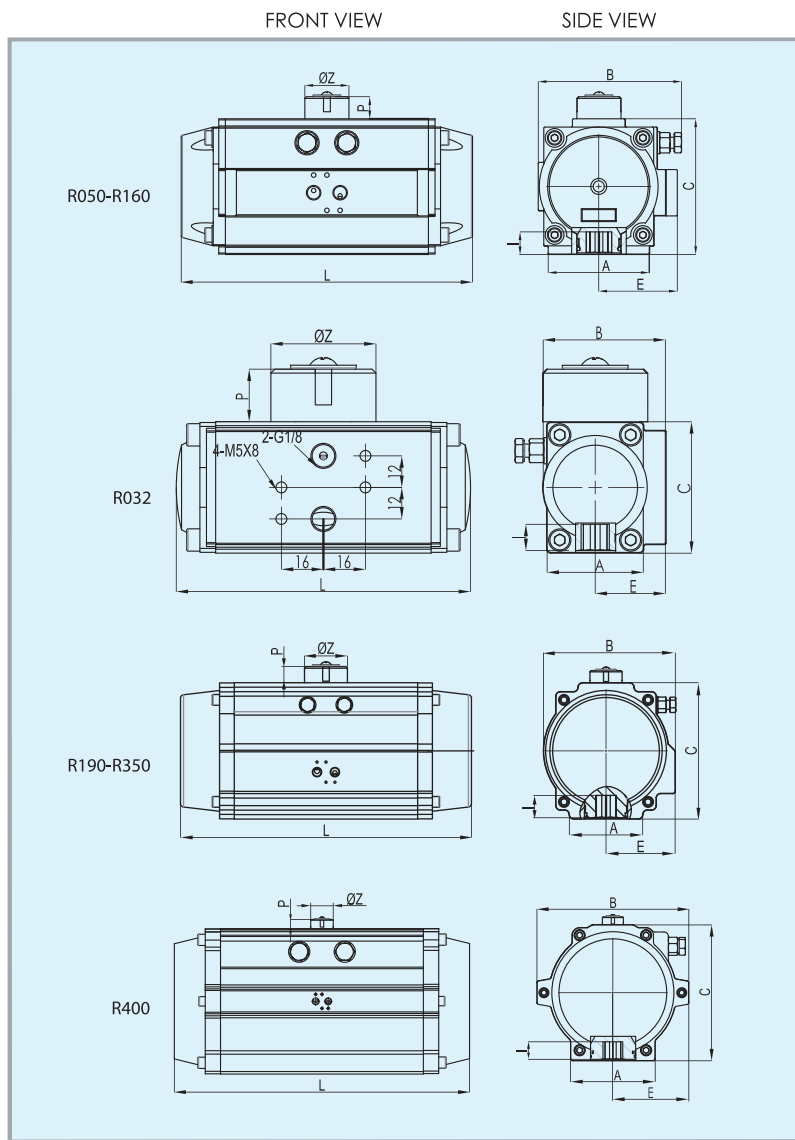
**NAMUR:** is the international standard, and thus the products can easily be fitted with solenoid valves.

NAMUR：標準規格部件，可以迅速、簡便的裝上電磁閥。



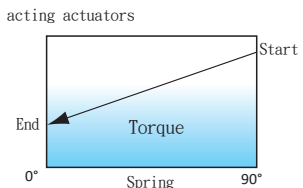
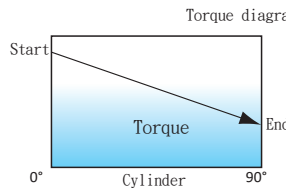
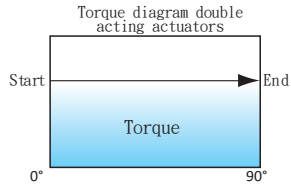
- Ⓐ -STANDARD
- Ⓑ -SPECIAL(OPTION)

Angle range	+5°
	-10° (standard)
	-45° (option)



MODEL	A	B	C	L RD	L RS	E	F	P	ØZ	N	I	FLANGE	Q	Q1	W	W1	Ch	T
R050	45	70	90	154	154	41.5	80	20	40	10	12	F03/05	36	50	M5X7.5	M6X9	11X11	G1/4"
R065	62	88	87	189	189	51.5	80	20	40	10	16	F05/07	50	70	M6X9	M8X12	14X14	G1/4"
R075	68	102.5	100	210	210	59	80	20	40	14	16	F05/07	50	70	M6X9	M8X12	14X14	G1/4"
R080	68	101	106	229	229	63.5	80	20	40	14	19	F05/07	50	70	M6X9	M8X12	17X17	G1/4"
R090	92	126	123	264	264	71	80	20	40	14	19	F05/07	50	70	M6X9	M8X12	17X17	G1/4"
R100	93	138.5	136	266	266	76.5	80	20	40	14	19	F07/10	70	102	M8X12	M10X15	17X17	G1/4"
R125	96	157	161	337	337	85	80	30	56	22	25	F07/10	70	102	M8X12	M10X15	22X22	G1/4"
R140	110	178	178	377	377	97	80	30	56	22	31	F10/12	102	125	M10X15	M12X18	27X27	G1/4"
R160	112	196	200	412	412	106	130	30	56	22	31	F10/12	102	125	M10X15	M12X18	27X27	G1/4"
R190	136	216.5	232	488	488	112	130	30	56	22	41	F10/14	102	140	M10X15	M16X24	36X36	G1/4"
R210	140	235.5	255	550	550	120	130	30	80	32	40	F14	-	140	-	M16X24	36X36	G1/4"
R240	159	262	292	602	602	131	130	30	80	32	50	F16	-	165	-	M20X28	46X46	G1/2"
R270	159	295	331	672	672	147.5	130	30	80	32	50	F16	-	165	-	M20X28	46X46	G1/2"
R300	180	335	354	784	784	173	130	30	80	32	50	F16	-	165	-	M20X28	46X46	G1/2"
R350	270	385	410	845	845	195	130	30	80	32	50	F16/F25	165	254	M20X28	M16X30	46X46	G1/2"
R400	290	520	466	956	956	260	130	30	80	32	60	F25	-	254	-	M16X30	55X55	G1/2"

# METRIC TORQUE RATINGS



Model	DOUBLE ACTING TORQUE RATINGS IN Nm									
	Supply Pressure (Unit:Kg)									
	2.5	3	3.5	4	4.5	5	5.5	6	7	8
RD032	2.9	3.4	4.0	4.6	5.3	5.9	6.5	7.1	8.3	9.5
RD050	8.6	10.4	12.3	14.2	16.0	17.9	19.8	21.6	25.4	29.1
RD060	17.4	21.2	25.0	28.7	32.5	36.3	40.1	43.9	51.4	59.0
RD075	27.0	32.9	38.8	44.7	50.5	56.4	62.3	68.2	79.9	91.7
RD080	39.7	48.3	56.9	65.6	74.2	82.8	91.4	100.1	117.3	134.6
RD090	55.7	67.9	80.0	92.1	104.2	116.4	128.5	140.6	164.8	189.1
RD100	72.0	89.3	105.0	120.6	136.3	152.0	167.6	183.3	214.6	245.9
RD125	128.7	159.5	187.5	215.4	243.4	271.4	299.4	327.4	383.3	439.3
RD140	196	237	278	319	360	401	442	483	565	647
RD160	263.5	326.6	383.9	441.2	498.5	555.8	613.1	670.4	785.0	899.7
RD190	428.5	518.0	607.3	696.6	785.9	875.3	964.6	1053.9	1232.5	1411.1
RD210	598.2	723.2	847.9	972.6	1097.3	1222.0	1346.6	1471.3	1720.7	1970.1
RD240	928.3	1122.0	1315.0	1508.0	1702.0	1895.0	2089.0	2282.0	2669.0	3056.0
RD270	1305.0	1577.0	1849.0	2121.0	2393.0	2665.0	2937.0	3209.0	3753.0	4297.0
RD300	1678.6	2029.4	2379.3	2729.2	3079.1	3429.0	3778.9	4128.8	4828.5	5528.3
RD350	2492.5	3011.8	3531.1	4050.4	4569.6	5088.9	5608.2	6127.5	7166.0	8204.6
RD400	3798.1	4589.4	5380.7	6172.0	6963.3	7754.5	8545.8	9337.1	10919.7	12502.2

Model	SINGLE ACTING TORQUE RATINGS IN Nm																		Spring stroke			
	Supply Pressure (Unit:bar)																					
	2.5		3		3.5		4		4.5		5		5.5		6		7				8	
RS050 S05	5.1	3.4	6.9	5.3	8.8	7.2	10.7	9.0	12.5	10.9	14.4	12.8	16.3	14.6	18.1	16.5	21.9	20.2	25.6	23.9	5.2	3.5
RS050 S06	4.4	2.4	6.2	4.3	8.1	6.1	10.0	8.0	11.8	9.9	13.7	11.7	15.6	13.6	17.4	15.5	21.2	19.2	24.9	22.9	6.2	4.2
RS050 S07			5.5	3.2	7.4	5.1	9.3	7.0	11.1	8.8	13.0	10.7	14.9	12.6	16.7	14.4	20.5	18.2	24.2	21.9	7.2	4.9
RS050 S08					6.7	4.1	8.6	5.9	10.4	7.8	12.3	9.7	14.2	11.5	16.0	13.4	19.8	17.1	23.5	20.9	8.2	5.6
RS050 S09							7.9	4.9	9.7	6.8	11.6	8.6	13.5	10.5	15.3	12.4	19.1	16.1	22.8	19.8	9.3	6.3
RS050 S10									9.0	5.7	10.9	7.6	12.8	9.5	14.6	11.3	18.4	15.1	22.1	18.8	10.3	7.0
RS050 S11											10.2	6.6	12.1	8.4	13.9	10.3	17.7	14.0	21.4	17.8	11.3	7.7
RS050 S12													11.4	7.4	13.2	9.3	17.0	13.0	20.7	16.7	12.4	8.4
RS065 S05	8.7	4.3	12.5	8.1	16.3	11.9	20.0	15.6	23.8	19.4	27.6	23.2	31.4	27.0	35.2	30.8	42.7	38.3	50.3	45.9	13.1	8.7
RS065 S06	7.0	1.7	10.7	5.5	14.5	9.2	18.3	13.0	22.1	16.8	25.9	20.6	29.7	24.4	33.4	28.2	41.0	35.7	48.6	43.3	15.7	10.4
RS065 S07			9.0	2.8	12.8	6.6	16.6	10.4	20.4	14.2	24.1	18.0	27.9	21.8	31.7	25.5	39.3	33.1	46.8	40.7	18.3	12.2
RS065 S08					11.0	4.0	14.8	7.8	18.6	11.6	22.4	15.4	26.2	19.1	30.0	22.9	37.5	30.5	45.1	38.1	21.0	13.9
RS065 S09							13.1	5.2	16.9	9.0	20.7	12.7	24.4	16.5	28.2	20.3	35.8	27.9	43.4	35.4	23.6	15.7
RS065 S10									15.1	6.3	18.9	10.1	22.7	13.9	26.5	17.7	34.0	25.2	41.6	32.8	26.2	17.4
RS065 S11											17.2	7.5	21.0	11.3	24.7	15.1	32.3	22.6	39.9	30.2	28.8	19.1
RS065 S12													19.2	8.7	23.0	12.4	30.6	20.0	38.1	27.6	31.4	20.9
RS075 S05	16.3	10.2	22.2	16.0	28.1	21.9	34.0	27.8	39.8	33.7	45.7	39.6	51.6	45.4	57.5	51.3	69.2	63.1	81.0	74.8	16.9	10.7
RS075 S06	14.2	6.8	20.1	12.7	25.9	18.6	31.8	24.4	37.7	30.3	43.6	36.2	49.4	42.1	55.3	47.9	67.1	59.7	78.8	71.4	20.2	12.8
RS075 S07			17.9	9.3	23.8	15.2	29.7	21.1	35.6	26.9	41.4	32.8	47.3	38.7	53.2	44.6	64.9	56.3	76.7	68.1	23.6	15.0
RS075 S08					21.7	11.8	27.5	17.7	33.4	23.6	39.3	29.4	45.2	35.3	51.0	41.2	62.8	53.0	74.5	64.7	27.0	17.1
RS075 S09							25.4	14.3	31.3	20.2	37.1	26.1	43.0	32.0	48.9	37.8	60.7	49.6	72.4	61.3	30.3	19.3
RS075 S10									29.1	16.8	35.0	22.7	40.9	28.6	46.8	34.5	58.5	46.2	70.3	58.0	33.7	21.4
RS075 S11											32.9	19.3	38.7	25.2	44.6	31.1	56.4	42.8	68.1	54.6	37.1	23.5
RS075 S12													36.6	21.8	42.5	27.7	54.2	39.5	66.0	51.2	40.4	25.7
RS080 S05	23.2	13.7	31.8	22.3	40.4	30.9	49.0	39.5	57.6	48.1	66.3	56.8	74.9	65.4	83.5	74.0	100.8	91.3	118.0	108.5	26.1	16.6
RS080 S06	19.8	8.4	28.4	17.0	37.1	25.7	45.7	34.3	54.3	42.9	62.9	51.5	71.6	60.2	80.2	68.8	97.4	86.0	114.7	103.3	31.3	19.9
RS080 S07			25.1	11.8	33.8	20.5	42.4	29.1	51.0	37.7	59.6	46.3	68.3	55.0	76.9	63.6	94.1	80.8	111.4	98.1	36.5	23.2
RS080 S08					30.4	15.2	39.1	23.9	47.7	32.5	56.3	41.1	64.9	49.7	73.6	58.4	90.8	75.6	108.1	92.9	41.7	26.5
RS080 S09							35.8	18.7	44.4	27.3	53.0	35.9	61.6	44.5	70.3	53.2	87.5	70.4	104.8	87.7	46.9	29.8
RS080 S10									41.1	22.1	49.7	30.7	58.3	39.3	67.0	48.0	84.2	65.2	101.5	82.5	52.1	33.1
RS080 S11											46.4	25.5	55.0	34.1	63.6	42.7	80.9	60.0	98.1	77.2	57.3	36.4
RS080 S12													51.7	28.9	60.3	37.5	77.6	54.8	94.8	72.0	62.5	39.7
RS090 S05	33.6	20.9	45.8	33.0	57.9	45.1	70.0	57.3	82.1	69.4	94.3	81.5	106.4	93.6	118.5	105.8	142.7	130.0	167.0	154.2	34.9	22.1
RS090 S06	29.2	13.9	41.4	26.1	53.5	38.2	65.6	50.3	77.7	62.4	89.8	74.5	102.0	86.7	114.1	98.8	138.3	123.0	162.6	147.3	41.8	26.5
RS090 S07			36.9	19.1	49.1	31.2	61.2	43.3	73.3	55.4	85.4	67.6	97.5	79.7	109.7	91.8	133.9	116.1	158.1	140.3	48.8	30.9
RS090 S08					44.6	24.2	56.8	36.4	68.9	48.5	81.0	60.6	93.1	72.7	105.2	84.8	129.5	109.1	153.7	133.3	55.8	35.4
RS090 S09							52.3	29.4	64.5	41.5	76.6	53.6	88.7	65.8	100.8	77.9	125.1	102.1	149.3	126.4	62.7	39.8
RS090 S10									60.0	34.5	72.2	46.7	84.3	58.8	96.4	70.9	120.6	95.1	144.9	119.4	69.7	44.2
RS090 S11											67.7	39.7	79.9	51.8	92.0	63.9	116.2	88.2	140.5	112.4	76.7	48.6
RS090 S12													75.4	44.8	87.6	57.0	111.8	81.2	136.0	105.4	83.6	53.0



# METRIC TORQUE RATINGS

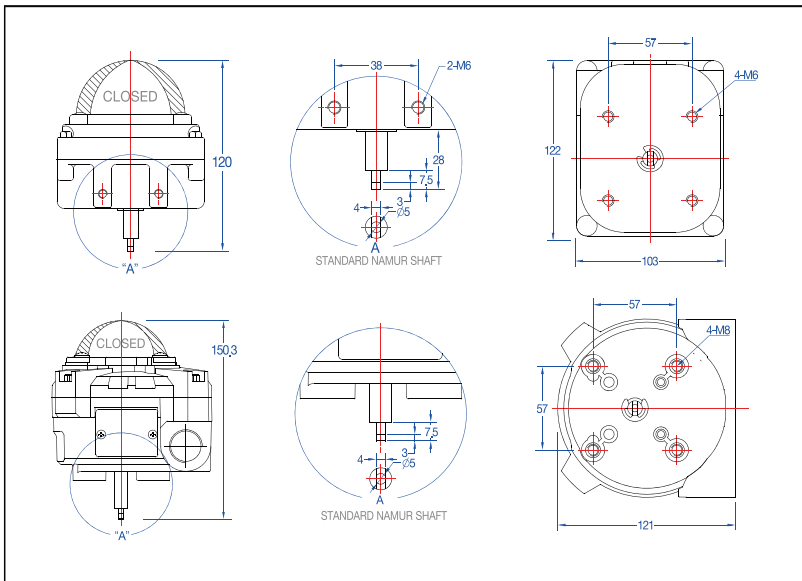
Model	SINGLE ACTING TORQUE RATINGS IN Nm																				Spring stroke	
	Supply Pressure (Unit:bar)																					
	2.5		3		3.5		4		4.5		5		5.5		6		7		8			
0°	90°	0°	90°	0°	90°	0°	90°	0°	90°	0°	90°	0°	90°	0°	90°	0°	90°	0°	90°	90°	0°	
RS100 S05	43.4	28.2	60.7	43.4	76.4	59.1	92.0	74.8	107.7	90.4	123.4	106.1	139.0	121.8	154.7	137.4	186.0	168.8	217.3	200.1	45.9	28.6
RS100 S06	37.7	17.0	55.0	34.3	70.6	49.9	86.3	65.6	102.0	81.3	117.6	96.9	133.3	112.6	149.0	128.3	180.3	159.6	211.6	190.9	55.0	34.3
RS100 S07			49.3	25.1	64.9	40.8	80.6	56.4	96.2	72.1	111.9	87.8	127.6	103.4	143.2	119.1	174.6	150.4	205.9	181.8	64.2	40.0
RS100 S08					59.2	31.6	74.9	47.3	90.5	62.9	106.2	78.6	121.9	94.3	137.5	109.9	168.9	141.3	200.2	172.6	73.4	45.8
RS100 S09							69.1	38.1	84.8	53.8	100.5	69.4	116.1	85.1	131.8	100.8	163.1	132.1	194.5	163.4	82.5	51.5
RS100 S10									79.1	44.6	94.8	60.3	110.4	75.9	126.1	91.6	157.4	122.9	188.7	154.2	91.7	57.2
RS100 S11											89.0	51.1	104.7	66.7	120.4	82.4	151.7	113.7	183.0	145.1	100.9	62.9
RS100 S12													99.0	57.6	114.6	73.2	146.0	104.6	177.3	135.9	110.0	68.6
RS125 S05	77.7	48.2	108.5	78.9	136.5	106.9	164.4	134.9	192.4	162.9	220.4	190.9	248.4	218.8	276.4	246.8	332.3	302.8	388.3	358.7	80.6	51.0
RS125 S06	67.5	32.0	98.3	62.8	126.3	90.8	154.2	118.8	182.2	146.8	210.2	174.7	238.2	202.7	266.2	230.7	322.1	286.7	378.1	342.6	96.7	61.2
RS125 S07			88.1	46.7	116.1	74.7	144.0	102.7	172.0	130.7	200.0	158.6	228.0	186.6	256.0	214.6	311.9	270.6	367.9	326.5	112.8	71.4
RS125 S08					105.9	58.6	133.8	86.6	161.8	114.5	189.8	142.5	217.8	170.5	245.8	198.5	301.7	254.4	357.7	310.4	128.9	81.6
RS125 S09							123.6	70.5	151.6	98.4	179.6	126.4	207.6	154.4	235.6	182.4	291.5	238.3	347.5	294.3	145.0	91.8
RS125 S10								141.4	82.3	169.4	110.3	197.4	138.3	225.4	166.3	281.3	222.2	337.3	278.2	161.1	102.0	
RS125 S11											159.2	94.2	187.2	122.2	215.2	150.2	271.1	206.1	327.1	262.1	177.2	112.2
RS125 S12													177.0	106.1	205.0	134.0	260.9	190.0	316.9	246.0	193.9	122.4
RS140 S05	114.2	74.1	155.1	115	196.1	156	237.0	196.9	277.9	237.8	318.8	278.7									122.4	82.3
RS140 S06	97.7	49.6	138.7	90.6	179.6	131.5	220.5	172.4	261.5	213.3	302.4	254.3	343.3	295.2							146.8	98.7
RS140 S07			122.2	66.1	163.2	107.0	204.1	147.9	245.0	188.9	285.9	229.8	326.9	270.7	367.8	311.6					171.3	115.2
RS140 S08					146.7	82.5	187.6	123.5	228.6	164.4	269.5	205.3	310.4	246.2	351.3	287.2	433.2	369.0			195.8	131.6
RS140 S09							171.2	99.0	212.1	139.0	253.0	180.9	294.0	221.8	334.9	262.7	416.7	344.6	498.6	426.4	220.2	148.1
RS140 S10								195.7	115.5	236.6	156.4	277.5	197.3	318.4	238.2	400.3	320.1	482.1	401.9	544.7	244.7	164.5
RS140 S11											220.1	131.9	261.1	172.8	302.0	213.8	383.8	295.6	465.7	377.5	269.2	181.0
RS140 S12													244.6	148.4	285.5	189.3	367.4	271.1	449.2	353.0	293.6	197.4
RS160 S05	153.5	101.3	216.6	164.4	273.9	221.7	331.2	279.0	388.5	336.3	445.8	393.6	503.1	450.9	560.4	508.2	675.0	622.8	789.7	737.4	162.3	110.0
RS160 S06	131.5	68.8	194.6	131.9	251.9	189.2	309.2	246.5	366.5	303.8	423.8	361.1	481.1	418.4	538.4	475.7	653.0	590.3	767.7	705.0	194.7	132.0
RS160 S07			172.6	99.5	229.9	156.8	287.2	214.1	344.5	271.4	401.8	328.7	459.1	386.0	516.4	443.3	631.0	557.9	745.7	672.5	227.2	154.0
RS160 S08					207.9	124.3	265.2	181.6	322.5	238.9	379.8	296.2	437.1	353.5	494.4	410.8	609.0	525.4	723.7	640.1	259.8	176.0
RS160 S09							243.2	149.2	300.5	206.5	357.8	263.8	415.1	321.1	472.4	378.4	587.0	493.0	701.7	607.6	292.1	198.0
RS160 S10									278.5	174.0	335.8	231.3	393.1	288.6	450.4	345.9	565.0	460.5	679.7	575.2	324.5	220.0
RS160 S11											313.8	198.9	371.1	256.2	428.4	313.5	543.0	428.1	657.7	542.7	357.0	242.0
RS160 S12													349.1	223.7	406.4	281.0	521.0	395.6	635.7	510.3	389.4	264.0
RS190 S05	246.8	167.4	336.3	256.9	425.6	346.2	514.9	435.5	604.2	524.8	693.5	614.1									261.2	181.8
RS190 S06	210.4	115.1	299.9	204.6	389.2	293.9	478.5	383.3	567.8	472.6	657.2	561.9	746.5	651.2							313.4	218.1
RS190 S07			263.6	152.4	352.9	241.7	442.2	331.0	531.5	420.3	620.8	509.6	710.1	599.0	799.4	688.3					365.6	254.5
RS190 S08					316.5	189.5	405.8	278.7	495.1	368.1	584.5	457.4	673.8	546.7	779.5	636.0	941.7	814.7			417.8	290.8
RS190 S09							369.5	226.6	458.8	315.9	548.1	405.2	637.4	494.5	745.2	583.8	905.3	762.4	1084.0	941.1	470.1	327.2
RS190 S10								422.4	263.6	451.8	353.0	545.1	442.3	710.9	531.6	869.0	710.2	1047.6	888.8	522.3	363.5	
RS190 S11										475.4	300.7	564.7	390.0	676.6	479.3	832.6	658.0	1011.3	836.6	574.5	399.9	
RS190 S12											528.4	337.8	642.3	427.1	796.3	605.7	974.9	784.4	628.8	436.8		
RS210 S05	352.8	239.1	477.8	364.1	602.5	488.8	727.2	613.5	851.9	738.2	976.6	862.9	1101.2	987.5	1225.9	1112.2	1475.3	1361.6	1724.7	1611.0	359.1	245.4
RS210 S06	303.7	167.3	428.7	292.3	553.4	417.0	678.1	541.7	802.8	666.4	927.5	791.0	1052.2	915.7	1176.9	1040.4	1426.2	1289.8	1675.6	1539.2	430.9	294.5
RS210 S07			379.6	220.5	504.3	345.2	629.0	469.8	753.7	594.5	878.4	719.2	1003.1	843.9	1127.8	968.6	1377.2	1218.0	1626.5	1467.4	502.7	343.6
RS210 S08					455.3	273.3	579.9	398.0	704.6	522.7	829.3	647.4	954.0	772.1	1078.7	896.8	1328.1	1146.2	1577.5	1395.5	574.6	392.6
RS210 S09							530.9	326.2	655.6	450.9	780.2	575.6	904.9	700.3	1029.6	825.0	1279.0	1074.3	1528.4	1323.7	646.4	441.7
RS210 S10								606.5	379.1	731.2	503.8	855.8	628.4	980.5	753.1	1229.9	1002.5	1479.3	1251.9	718.2	490.8	
RS210 S11											682.1	431.9	806.8	556.6	931.5	681.3	1180.8	930.7	1430.2	1180.1	790.0	539.9
RS210 S12													757.7	484.8	882.4	609.5	1131.8	858.9	1381.1	1108.3	861.8	589.0
RS240 S05	517.8	374.3	711.2	567.7	904.6	761.1	1098.0	954.5	1291.4	1147.9	1484.8	1341.3									554.0	410.5
RS240 S06	435.7	263.5	629.1	456.9	822.5	650.3	1015.9	843.7	1209.3	1037.1	1402.7	1230.5	1596.1	1423.9							664.8	492.6
RS240 S07			547.0	346.1	740.4	539.5	933.8	732.9	1127.2	926.3	1320.6	1119.7	1514.0	1313.1	1707.4	1506.5					775.6	574.7
RS240 S08					658.3	428.7	851.7	622.1	1045.1	815.5	1238.5	1008.9	1491.9	1202.3	1625.3	1395.7	2012.1	1782.5			886.4	658.8
RS240 S09							769.6	511.3	963.0	704.7	1156.4	898.1	1349.8	109								

# Limit Switch Box GLB-11 / ALS30 series 限位開關

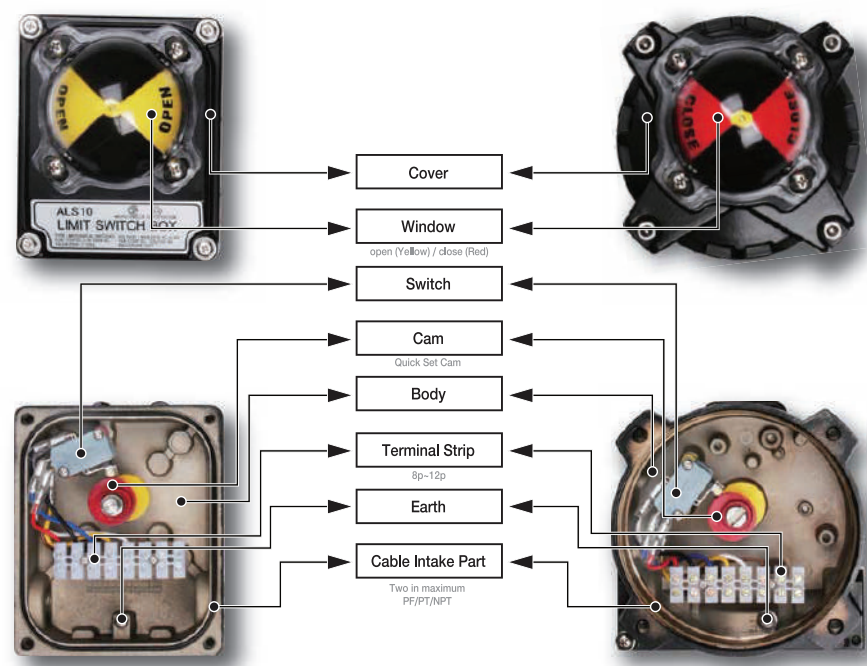
1. Open/Close Position Indicator 開/關 指示
2. Multipoint terminal strip 標準 8 Port 可做連結
3. Easy Mountin bracket (ISO 5211) ISO 5211 標準規格, 可直接安裝於氣缸



## Dimension Table



## Part List

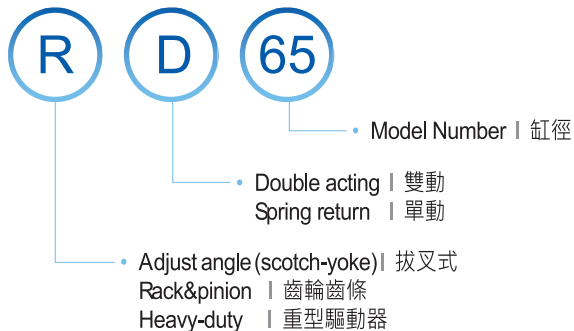


# Selection guide

VALVE SIZE		Double acting 雙動		Spring return 單動		
		Ball Valve 球閥	Butterfly Valve 蝶閥	Ball Valve 球閥	Butterfly Valve 蝶閥	
1/2"	15A	RD32(one piece)	RD50		RS50	
3/4"	20A	RD40(one piece)			RS65	
1"	25A		RD65		RS75	
1-1/4"	32A				RS80	
1-1/2"	40A		RD75	RD50	RS90	RS50
2"	50A		RD80	RD65	RS100	RS65
2-1/2"	65A		RD90		RS125	RS75
3"	80A		RD100	RD75		RS80
4"	100A		RD125	RD80	RS140	RS90
5"	125A		RD140	RD90	RS160	RS100
6"	150A		RD160	RD100	RS190	RS125
8"	200A		RD190	RD125	RS210	RS140
10"	250A		RD210	RD140	RS240	RS160
12"	300A		RD240	RD160	RS270	RS190
14"	350A			RD190	RS300	RS210
16"	400A			RD210	RS350	RS240
18"	450A			RD210		RS240
20"	500A			RD240		RS270

- The above data is for reference only; the actual assembly may be different depending on valve material, pressure, structure, fluid and operational environment.
- 此數據僅供參考，數據會以閥門、使用環境而不同。此數據只是一個參考之一，會因閥門的材料、壓力、使用環境而不同。

## How to order



Scotch-yoke   拔叉式	Rack&Pinion   齒輪齒條
<ul style="list-style-type: none"> <li>- Smooth on/off with the torque curve synchronized with valves</li> <li>- Relatively higher torque than the same model in Rack&amp;Pinion type</li> <li>- 開和關的時候的輸出扭力是最大的</li> <li>- 正和閥門需要的扭力是一致的</li> <li>- 在同樣缸徑的情況下撥叉式的比齒輪齒條的扭力大很多</li> </ul>	<ul style="list-style-type: none"> <li>- Short body length makes it easier to fit in small spaces.</li> <li>- The multi-spring structure enables adjustment of number of springs to suit the site requirements.</li> <li>- 缸體的長度短可以安裝在空間小的區域內</li> <li>- 個別小彈簧組合根據使用者的需要可以在現場調整彈簧的數量</li> </ul>



電話號碼：(02)2603-2377~9  
 傳真號碼：(02)2602-2818  
 電子郵件：roycheng1028@gmail.com  
 網 址：www.kingyoungvalves.com  
 地 址：新北市林口區湖北里湖子32-6號

TEL: 8862-26032377  
 FAX: 8862-26022818  
 E-MAIL: roycheng1028@gmail.com  
 WEBSITE: www.kingyoungvalves.com  
 ADDRESS: No 32-6 Huzi, Hubei Village, Linkou District, New Taipei City 244, Taiwan, R.O.C

- Data contained in the Catalog may be subject to change without advance notice for improvement of performance & safety of Product.
- 這為用戶的安全性數據產品目錄，如有變更，恕不另行通知